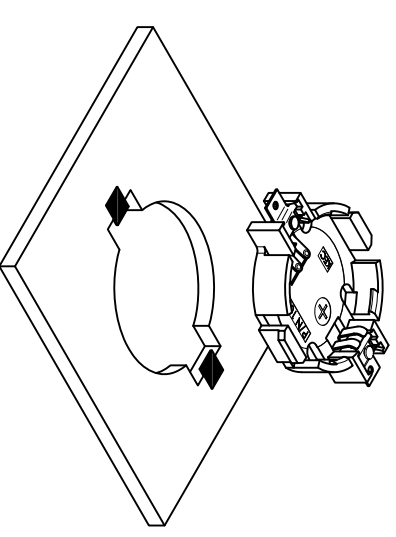
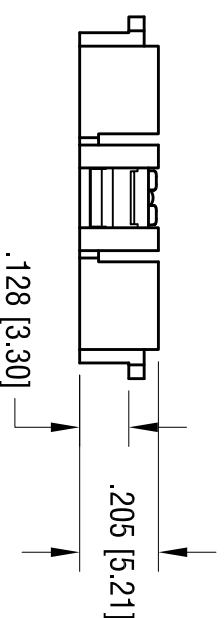
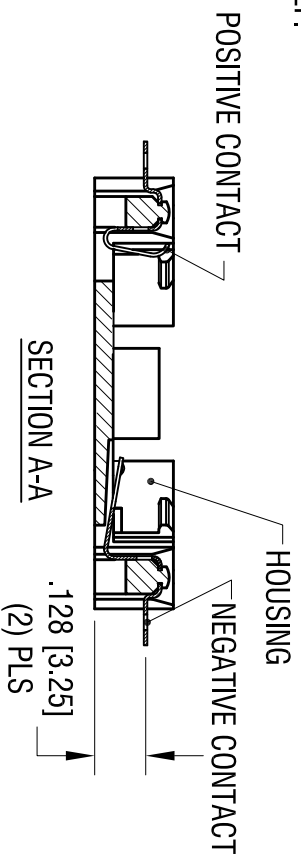
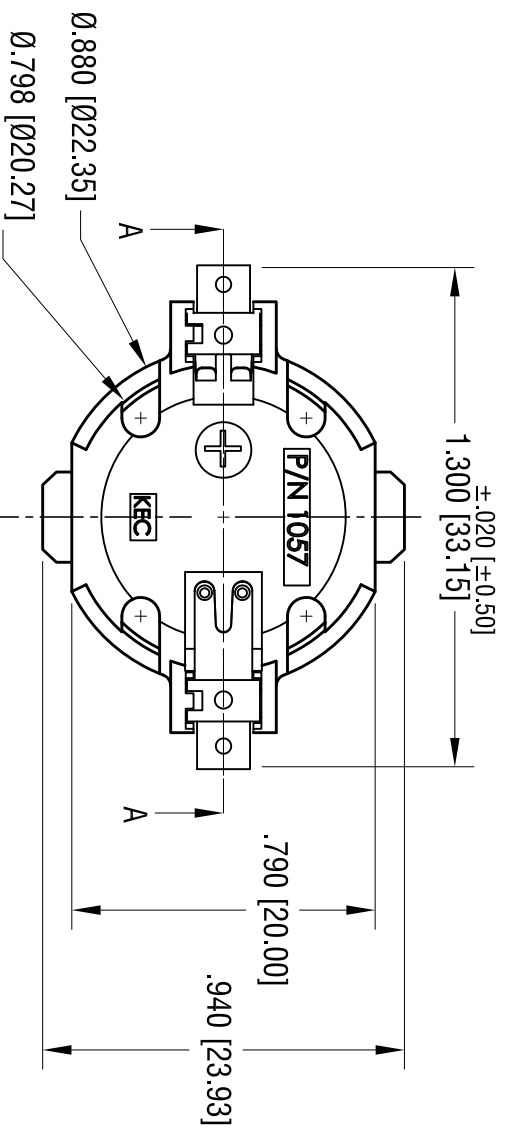
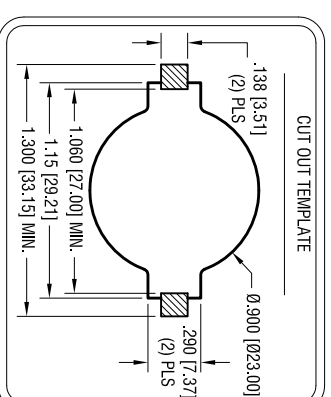
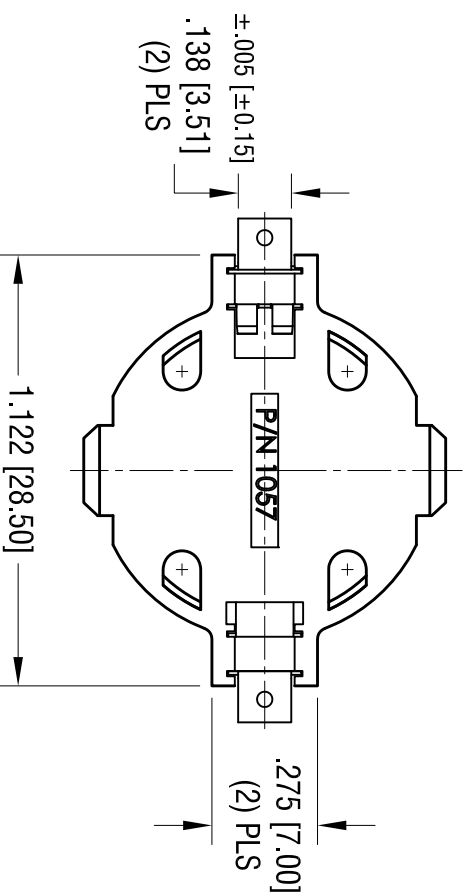


DATE	DESCRIPTION	REV.
6.04.13	CHANGE AS PER ECN 13-043	A
7.19.13	CHANGE AS PER ECN 13-058	B
7.24.13	CHANGE AS PER ECN 13-060	C
9.17.13	CHANGE AS PER ECN 13-060	D
10.24.13	CHANGE AS PER ECN 13-103	E
1.30.14	CHANGE AS PER ECN 14-014	F
3.10.14	CHANGE AS PER ECN 14-025	G



ACTUAL SIZE



- NOTES:
1. BASE:
MAT'L - GLASS FILLED LCP UL 94V-0, NATURAL
 2. CONTACTS:
MAT'L - .009 [0.23] THK PHOSPHOR BRONZE
FINISH: GOLD FLASH, OVER NICKEL PLATING

KEYSTONE ELECTRONICS CORP.

www.keystecorp.com • ASTORIA, N.Y. 11105-2017 • Tel (718) 956-8900

PART NAME

2032 BATTERY HOLDER, SMT

MATERIAL

AS NOTED

FINISH

AS NOTED

TOLERANCES	INCH	[MM]	CODE	DWG NO.
DECIMAL	± .010	[± 0.25]	C	1057
ANGULAR	± 1°			
UNLESS OTHERWISE SPECIFIED				

THIS DOCUMENT IS THE PROPERTY OF KEYSTONE ELECTRONICS CORP. AND SHALL NOT BE REPRODUCED, DISTRIBUTED OR USED AS A BASIS FOR MANUFACTURE WITHOUT PRIOR WRITTEN PERMISSION FROM KEYSTONE ELECTRONICS CORP.

DRN BY	DATE
NT	5.28.13
APP'D	SCALE
LN	2X