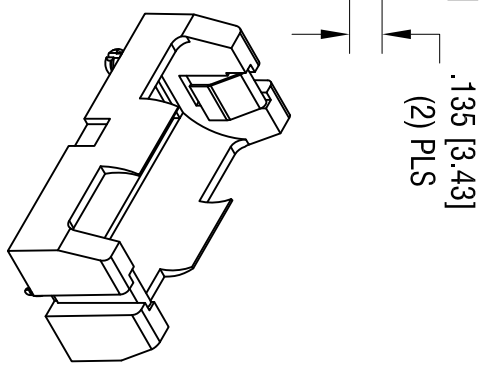
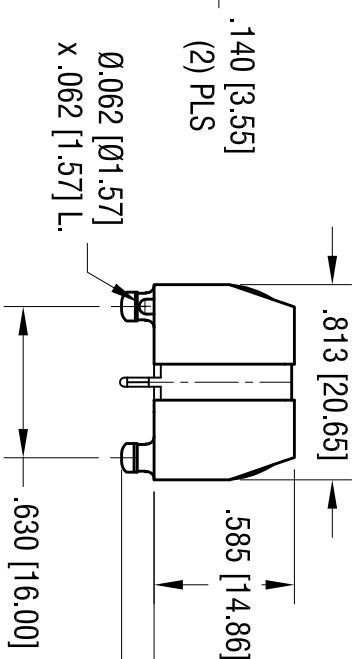
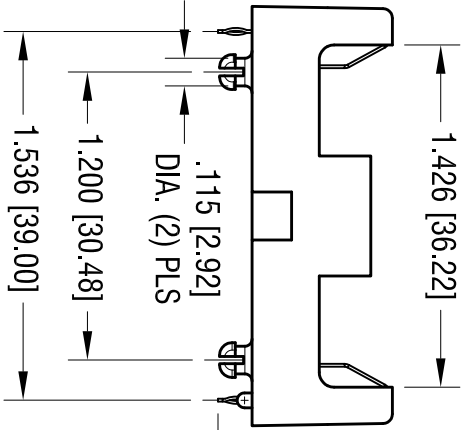
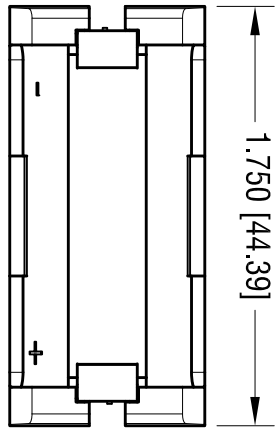
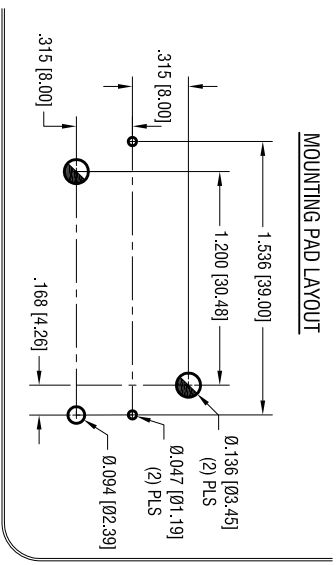


**MOUNTING PAD LAYOUT**



**ACTUAL SIZE**

THIS DOCUMENT IS THE PROPERTY OF KEYSTONE ELECTRONICS CORP. AND SHALL NOT BE REPRODUCED, DISTRIBUTED OR USED AS A BASIS FOR MANUFACTURE WITHOUT PRIOR WRITTEN PERMISSION FROM KEYSTONE ELECTRONICS CORP.

DATE	DESCRIPTION	REV.

- NOTE:**
- 1. BASE:**  
MATL: HEAT RESISTANCE NYLON  
STANLY 46 OR EQUIVALENT
  - 2. CONTACT:**  
MATL: .012 THK STAINLESS STEEL  
FINISH: TIN NICKEL PLATE.

**KEYSTONE ELECTRONICS CORP.**

www.keyleco.com • ASTORIA, N.Y. 11105-2017 • Tel (718) 956-8900

**PART NAME**  
THM BATTERY HOLDER, 18350

**MATERIAL**  
AS NOTED

**FINISH**  
AS NOTED

TOLERANCES	INCH	[MM]	CODE	DWG NO.
DECIMAL	± .010	[± 0.25]	C	1095
ANGULAR	± 1°			

DRN BY	DATE
NT	7.30.14
APP'D	SCALE
LN	1.25X