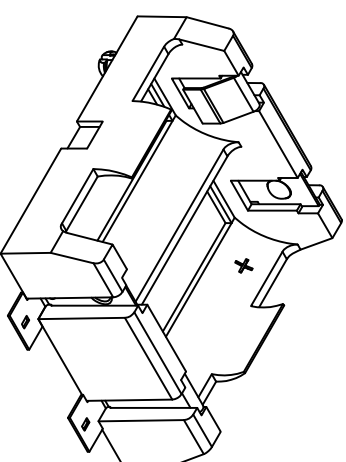
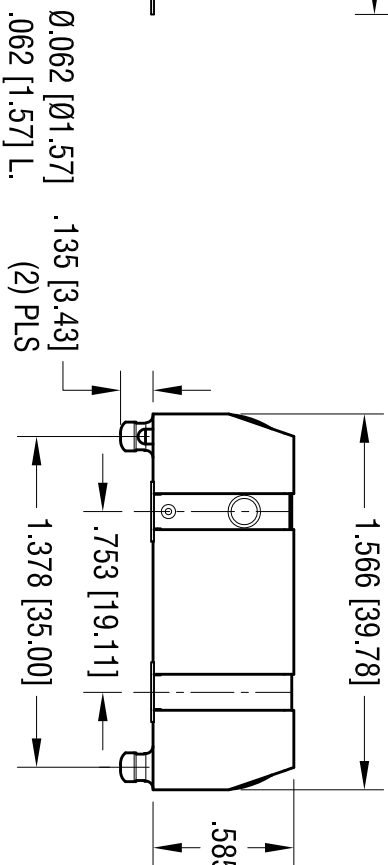
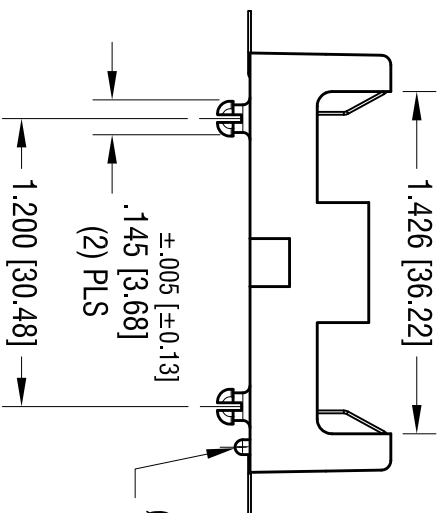
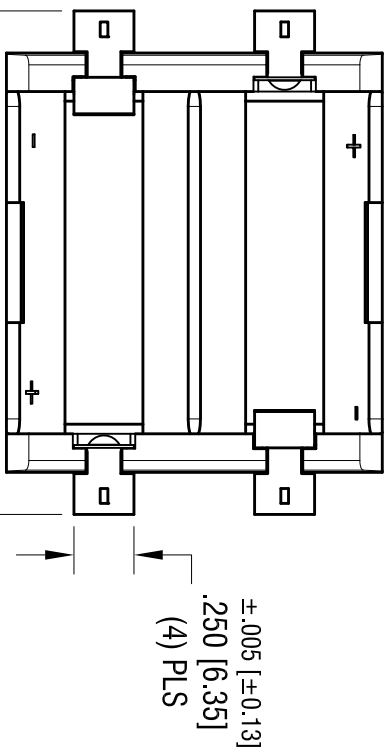
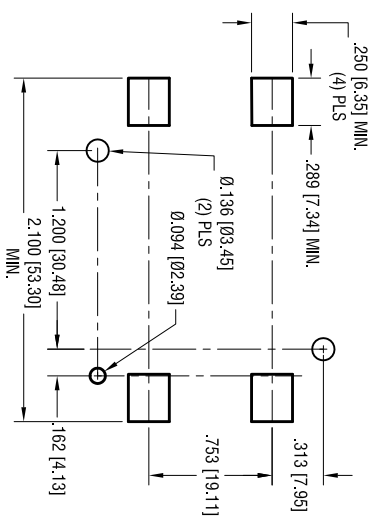


**MOUNTING PAD LAYOUT**



**ACTUAL SIZE**

**NOTE:**

1. BASE:

MAT'L: HEAT RESISTANCE NYLON  
STANYL 46 OR EQUIVALENT

2. CONTACT:

MAT'L: .012 [0.30] THK STAINLESS STEEL  
FINISH: GOLD FLASH, OVER NICKEL PLATE

DATE

DESCRIPTION

REV.

**KEYSTONE ELECTRONICS CORP.**

www.keystec.com • ASTORIA, N.Y. 11105-2017 • Tel (718) 956-8900

PART NAME

DUAL SM BATTERY HOLDER

MATERIAL

AS NOTED

FINISH

AS NOTED

TOLERANCES	INCH	[MM]
DECIMAL	± .010	[± 0.25]
ANGULAR	± 1°	

UNLESS OTHERWISE SPECIFIED

CODE	DWG NO.
C	

1098P

DRN BY	DATE
NT	7.28.14

APP'D	SCALE
LN	1.25X