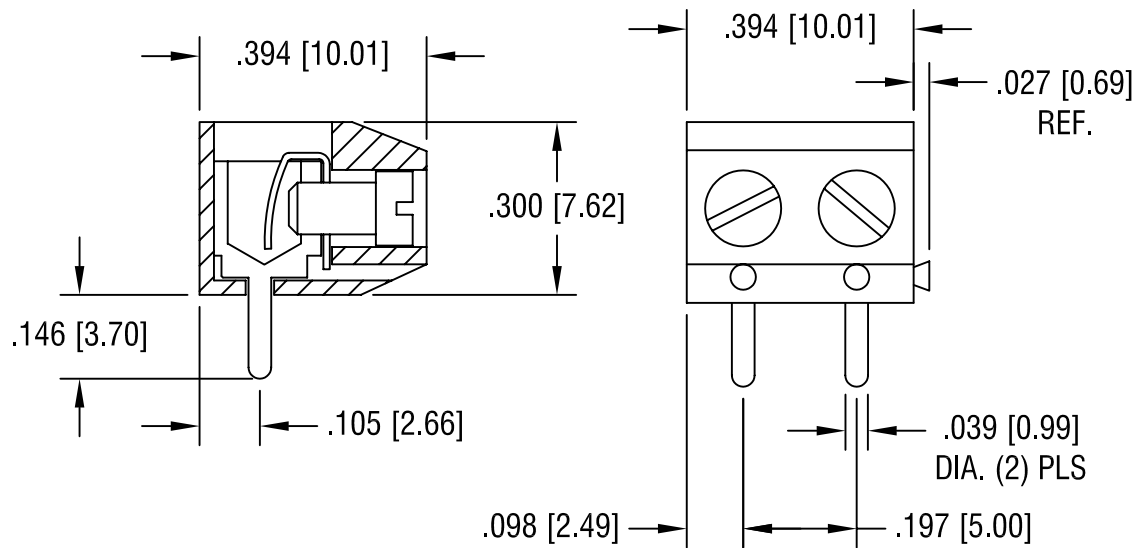


THIS DOCUMENT IS THE PROPERTY OF  
KEYSTONE ELECTRONICS CORP. AND  
SHALL NOT BE REPRODUCED, DISTRIBUTED  
OR USED AS A BASIS FOR MANUFACTURE  
WITHOUT PRIOR WRITTEN PERMISSION  
FROM KEYSTONE ELECTRONICS CORP.



NOTES:

- MAT'L:  
HOUSING: BLUE PBT, UL 94V-0  
CONTACT: BRASS, TIN PLATE  
SCREW, CAPTIVATED: STEEL, ZINC PLATE
- RECOMMENDED MOUNTING HOLE:  
.047 [1.19] DIA. (2) PLS

<b>KEYSTONE ELECTRONICS CORP.</b>			
ASTORIA, N.Y. 11105-2017			
PART NAME		5mm PC TERMINAL BLOCK	
MATERIAL		AS NOTED	
FINISH	AS NOTED	DRN BY BOONE	DATE 1.30.07
		APP'D LN	SCALE 3X
TOLERANCES	INCH [MM]	CODE	DWG NO.
DECIMAL	± .005 [± 0.15]	C/M	<b>8738</b>
ANGULAR	± 1°		
UNLESS OTHERWISE SPECIFIED			

DATE	DESCRIPTION	REV.