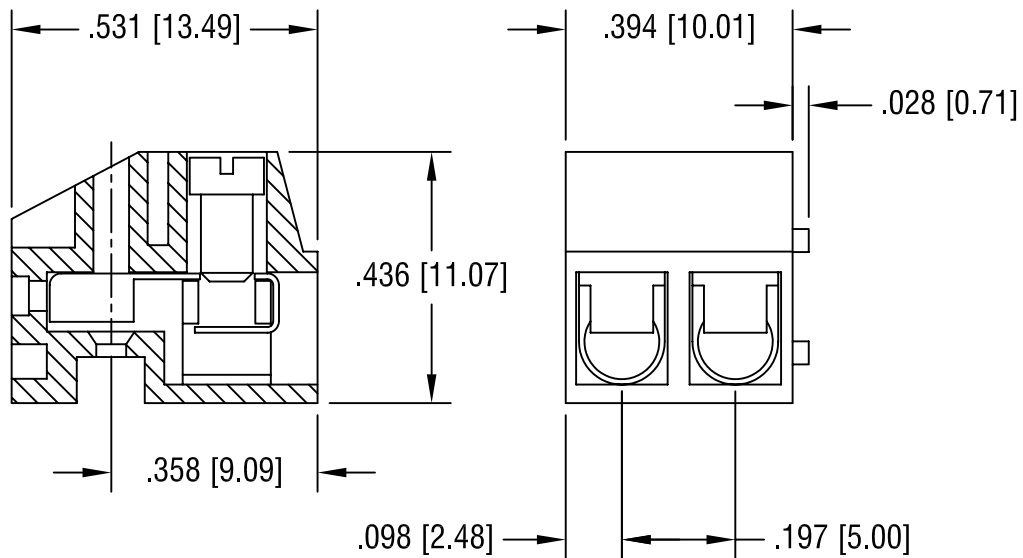


THIS DOCUMENT IS THE PROPERTY OF
KEYSTONE ELECTRONICS CORP. AND
SHALL NOT BE REPRODUCED, DISTRIBUTED
OR USED AS A BASIS FOR MANUFACTURE
WITHOUT PRIOR WRITTEN PERMISSION
FROM KEYSTONE ELECTRONICS CORP.



NOTES:

1. MAT'L:

HOUSING: BLUE PBT, UL 94V-0

CONTACT: BRASS, TIN PLATE

SCREW, CAPTIVATED: STEEL, ZINC PLATE

KEYSTONE ELECTRONICS CORP.

ASTORIA, N.Y. 11105-2017

PART NAME

5mm PLUGGABLE TERMINAL BLOCK

MATERIAL

AS NOTED

FINISH

AS NOTED

DRN BY

BOONE

DATE

7.23.98

APP'D

LN

SCALE

3X

TOLERANCES

INCH [MM]

DECIMAL $\pm .005$ [± 0.15]

ANGULAR $\pm 1^\circ$
UNLESS OTHERWISE SPECIFIED

CODE

C/M

DWG NO.

8725

DATE

DESCRIPTION

REV.