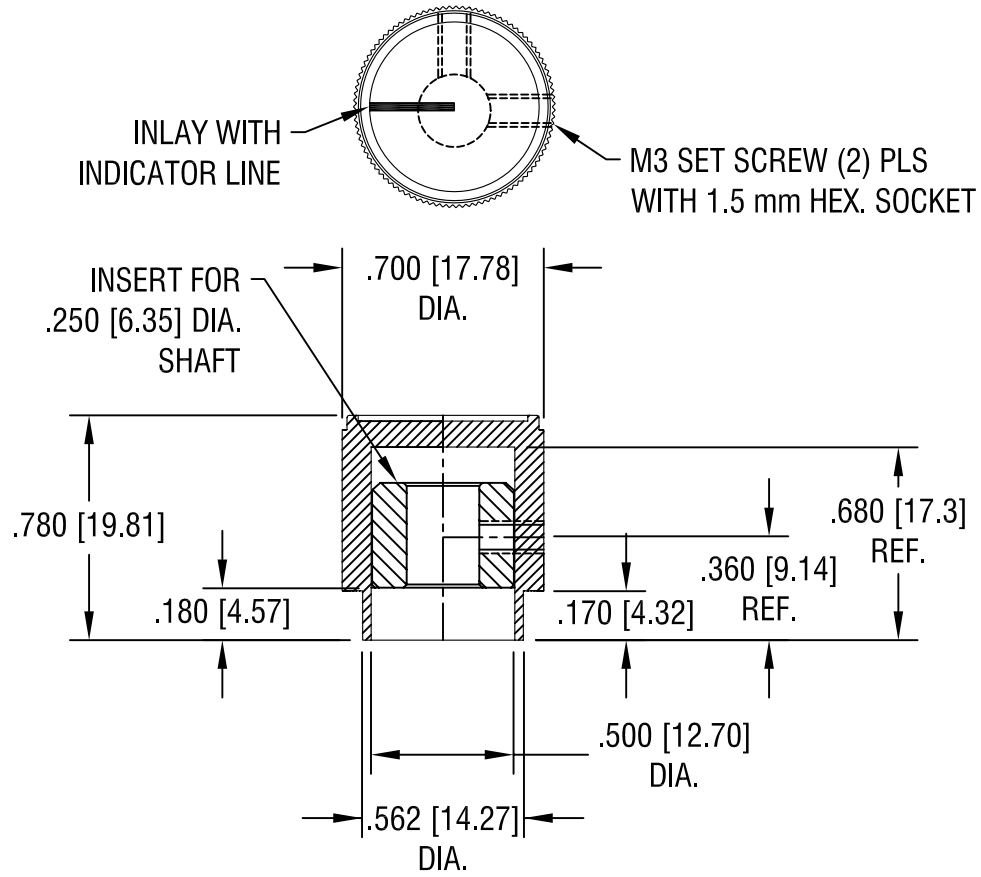
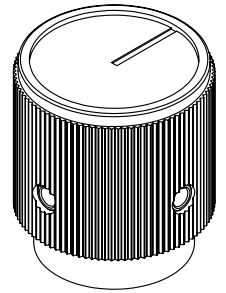


THIS DOCUMENT IS THE PROPERTY OF
KEYSTONE ELECTRONICS CORP. AND
SHALL NOT BE REPRODUCED, DISTRIBUTED
OR USED AS A BASIS FOR MANUFACTURE
WITHOUT PRIOR WRITTEN PERMISSION
FROM KEYSTONE ELECTRONICS CORP.



- NOTES:
1. KNOB: MAT'L: ABS, BLACK
INLAY: MAT'L: SPUN ALUMINUM WITH INDICATOR LINE.
 2. INSERT: MAT'L: BRASS
FINISH- NICKEL PLATE
 3. SCREWS: MAT'L: STEEL
FINISH- BLACK OXIDE

KEYSTONE ELECTRONICS CORP.			
ASTORIA, N.Y. 11105-2017			
PART NAME		KNOB	
MATERIAL		AS NOTED	
FINISH	AS NOTED	DRN BY	BOONE
		APP'D	LN
		DATE	6.28.07
		SCALE	1.5X
TOLERANCES	INCH [MM]	CODE	DWG NO.
DECIMAL	$\pm .015$ [± 0.38]	C/M	8555
ANGULAR	$\pm 1^\circ$		
UNLESS OTHERWISE SPECIFIED			

8.08.08	CHANGE AS PER ECN08-135	C
10.19.07	CHANGE AS PER ECN 07-067	A
DATE	DESCRIPTION	REV.