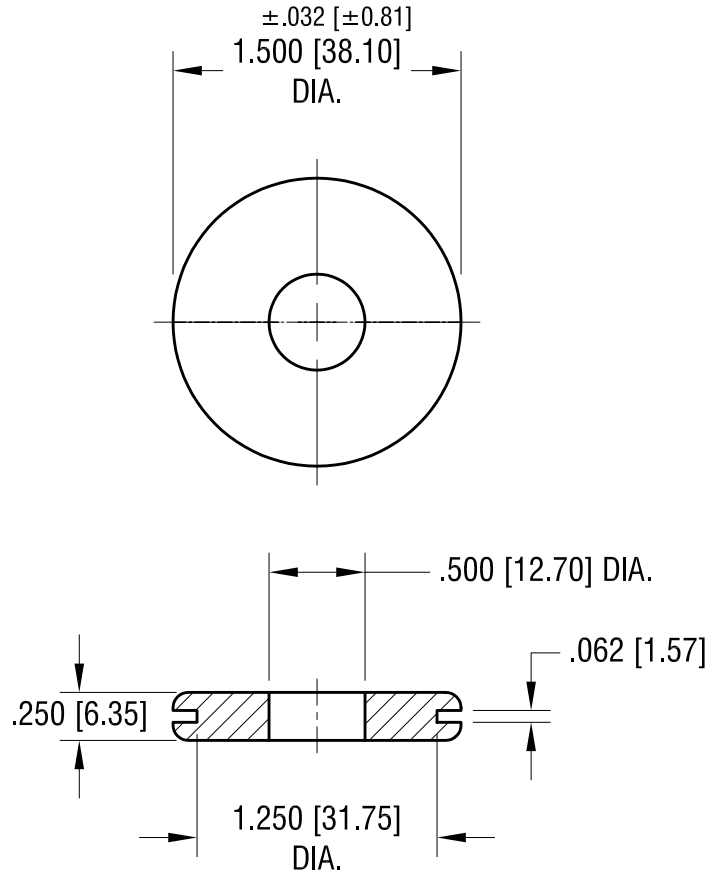


THIS DOCUMENT IS THE PROPERTY OF  
KEYSTONE ELECTRONICS CORP. AND  
SHALL NOT BE REPRODUCED, DISTRIBUTED  
OR USED AS A BASIS FOR MANUFACTURE  
WITHOUT PRIOR WRITTEN PERMISSION  
FROM KEYSTONE ELECTRONICS CORP.



|                                   |               |                |            |
|-----------------------------------|---------------|----------------|------------|
| <b>KEYSTONE ELECTRONICS CORP.</b> |               |                |            |
| ASTORIA, N.Y. 11105-2017          |               |                |            |
| PART NAME                         |               | RUBBER GROMMET |            |
| MATERIAL                          |               | BUNA N         |            |
| FINISH                            | -             | DRN BY         | BOONE      |
|                                   |               | DATE           | 9.16.96    |
|                                   |               | APP'D          | LN         |
|                                   |               | SCALE          | 1X         |
| TOLERANCES                        | INCH [MM]     | CODE           | DWG NO.    |
| DECIMAL                           | ±.020 [±0.50] | C/M            | <b>748</b> |
| ANGULAR                           | ± 1°          |                |            |
| UNLESS OTHERWISE SPECIFIED        |               |                |            |

|         |                          |      |
|---------|--------------------------|------|
| 1.02.08 | CHANGE AS PER ECN 08-017 | A    |
| DATE    | DESCRIPTION              | REV. |