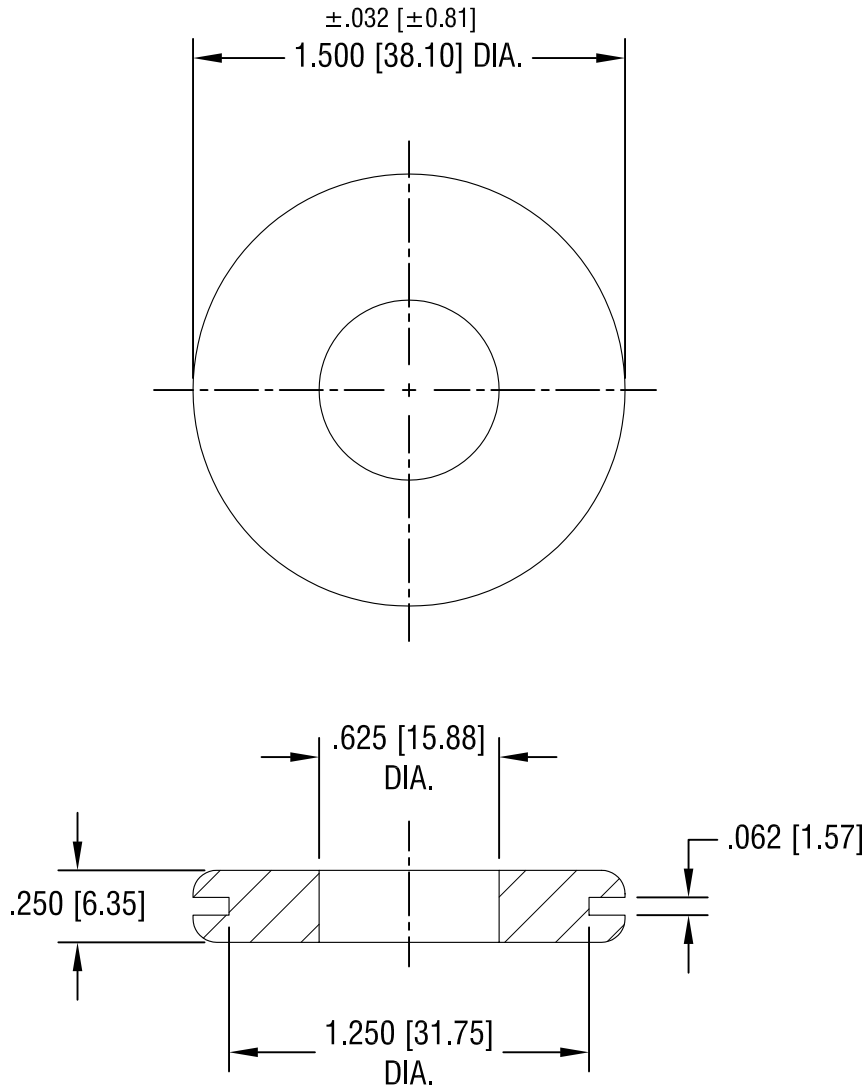


THIS DOCUMENT IS THE PROPERTY OF  
KEYSTONE ELECTRONICS CORP. AND  
SHALL NOT BE REPRODUCED, DISTRIBUTED  
OR USED AS A BASIS FOR MANUFACTURE  
WITHOUT PRIOR WRITTEN PERMISSION  
FROM KEYSTONE ELECTRONICS CORP.



**KEYSTONE ELECTRONICS CORP.**

ASTORIA, N.Y. 11105-2017

PART NAME		RUBBER GROMMET	
MATERIAL		BUNA N	
FINISH	-	DRN BY	BOONE
		APP'D	LN
		DATE	9.16.96
		SCALE	1.5X
TOLERANCES	INCH [MM]	CODE	DWG NO.
DECIMAL	±.020 [±0.50]	C/M	753
ANGULAR	± 1°		
UNLESS OTHERWISE SPECIFIED			

1.02.08	CHANGE AS PER ECN 08-008	A
DATE	DESCRIPTION	REV.