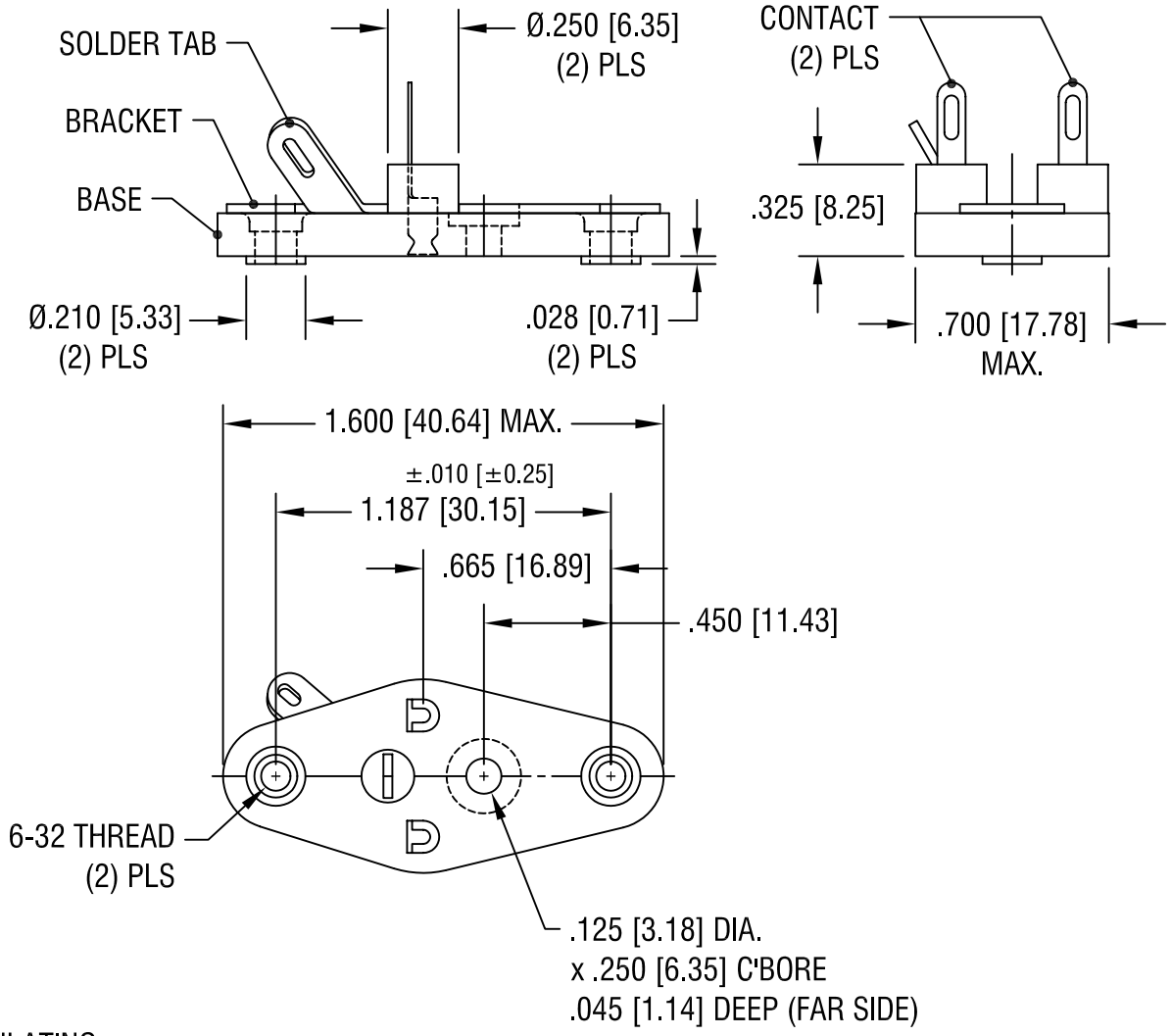


THIS DOCUMENT IS THE PROPERTY OF KEYSTONE ELECTRONICS CORP. AND SHALL NOT BE REPRODUCED, DISTRIBUTED OR USED AS A BASIS FOR MANUFACTURE WITHOUT PRIOR WRITTEN PERMISSION FROM KEYSTONE ELECTRONICS CORP.



NOTES:

BASE, INSULATING:  
 MAT'L - GLASS FILLED POLYESTER UL 94V-0

BRACKET, MOUNTING:  
 MAT'L - .032 [0.81] TH'K BRASS  
 FINISH - TIN PLATE

CONTACT:  
 MAT'L - .012 [0.30] TH'K BRASS  
 FINISH - TIN PLATE

<b>KEYSTONE ELECTRONICS CORP.</b>			
ASTORIA, N.Y. 11105-2017			
PART NAME			
TO-3 SINGLE TAB TRANSISTOR SOCKET			
MATERIAL			
AS NOTED			
FINISH		DRN BY	DATE
AS NOTED		BOONE	10.8.82
		APPD	SCALE
		LN	1.5X
TOLERANCES	INCH	[MM]	CODE
DECIMAL	±.005	[±0.15]	C
ANGULAR	± 1°		
UNLESS OTHERWISE SPECIFIED			
DWG NO.		<b>4515</b>	

5.18.04	CHANGE AS PER ECN 04-038	A
DATE	DESCRIPTION	REV.