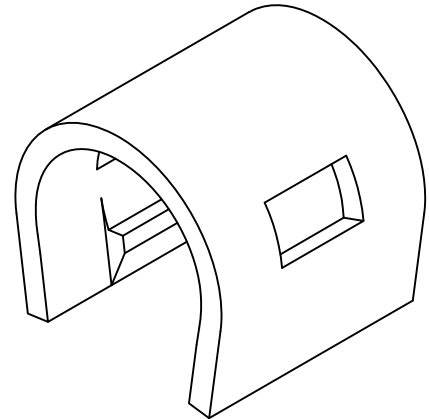
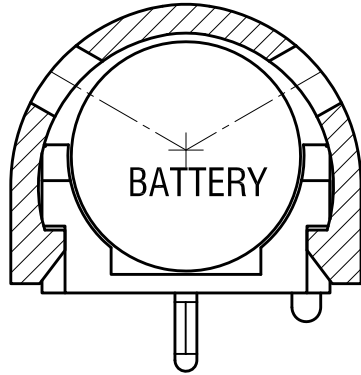
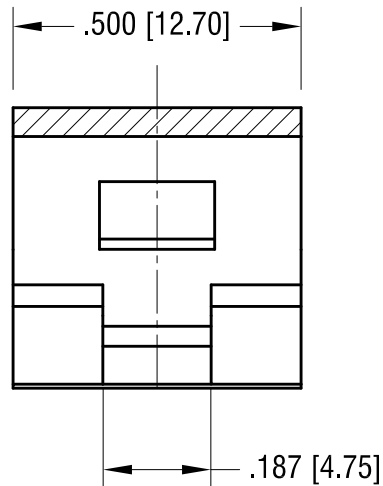
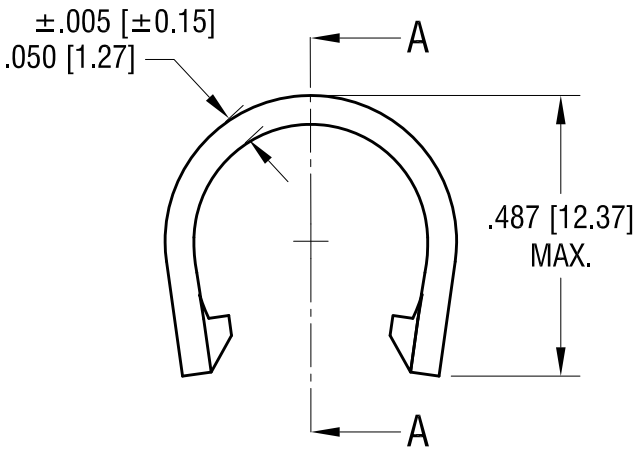


THIS DOCUMENT IS THE PROPERTY OF
KEYSTONE ELECTRONICS CORP. AND
SHALL NOT BE REPRODUCED, DISTRIBUTED
OR USED AS A BASIS FOR MANUFACTURE
WITHOUT PRIOR WRITTEN PERMISSION
FROM KEYSTONE ELECTRONICS CORP.

COVER AS INSTALLED



SECTION A-A



3.10.10	CHANGE AS PER ECN 10-021	A
DATE	DESCRIPTION	REV.

KEYSTONE ELECTRONICS CORP.			
www.keyelco.com • ASTORIA, N.Y. 11105-2017 • Tel (718) 956-8900			
PART NAME		BATTERY HOLDER COVER	
MATERIAL		PBT UL 94V-0, BLACK	
FINISH	-	DRN BY NT	DATE 3.01.10
		APP'D LN	SCALE 3X
TOLERANCES	INCH [MM]	CODE	DWG NO.
DECIMAL	±.010 [±]	C	1020C
ANGULAR	± 1°		
UNLESS OTHERWISE SPECIFIED			