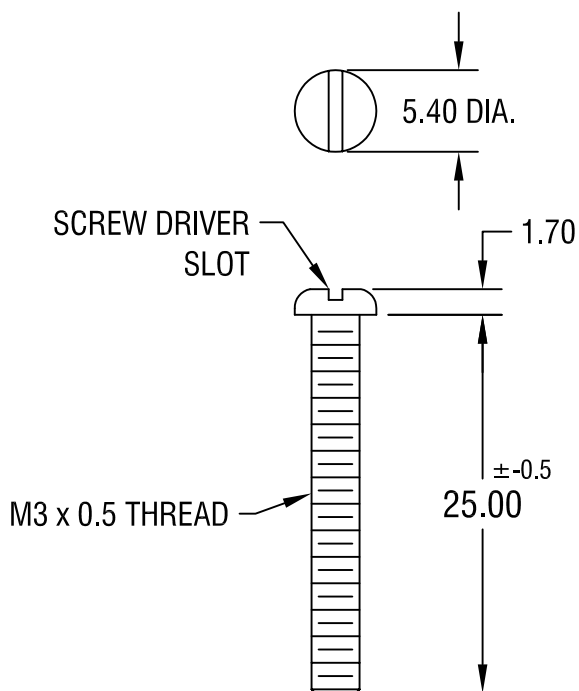


THIS DOCUMENT IS THE PROPERTY OF
KEYSTONE ELECTRONICS CORP. AND
SHALL NOT BE REPRODUCED, DISTRIBUTED
OR USED AS A BASIS FOR MANUFACTURE
WITHOUT PRIOR WRITTEN PERMISSION
FROM KEYSTONE ELECTRONICS CORP.



NOTE:

1. ALL DIMENSIONS ARE IN MILLIMETERS

| | | | |
|-----------------------------------|--|-------------------|--------------|
| KEYSTONE ELECTRONICS CORP. | | | |
| ASTORIA, N.Y. 11105-2017 | | | |
| PART NAME | | M3 PAN HEAD SCREW | |
| MATERIAL | | STEEL | |
| FINISH | | DRN BY | DATE |
| ZINC PLATE CLEAR CHROMATE | | BOONE | 10.16.06 |
| | | APP'D | SCALE |
| | | LN | 2X |
| TOLERANCES | | INCH | [MM] |
| DECIMAL | | ± | [± 0.25] |
| ANGULAR | | ± 1° | |
| UNLESS OTHERWISE SPECIFIED | | CODE | DWG NO. |
| | | C/M | 29318 |

| | | |
|------|-------------|------|
| DATE | DESCRIPTION | REV. |
| | | |