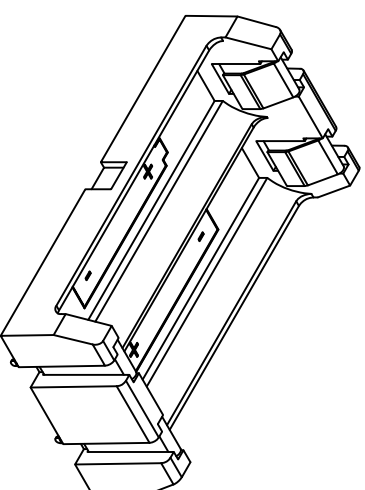
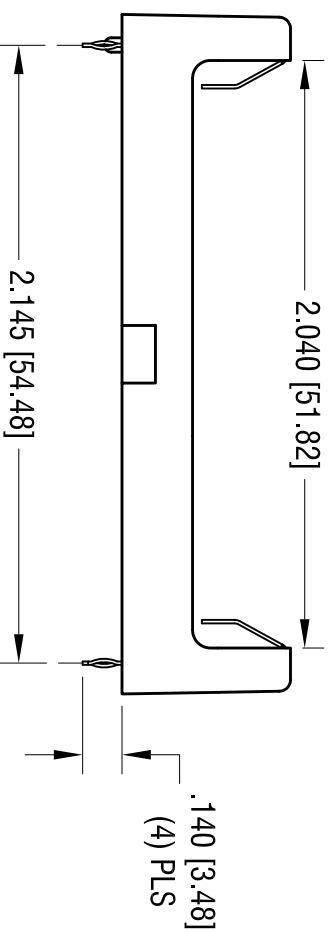
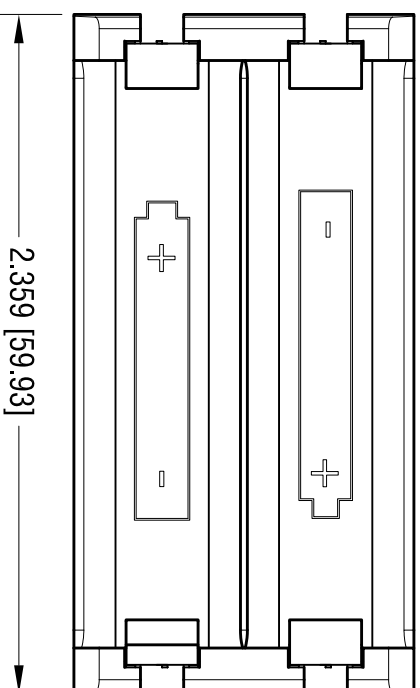
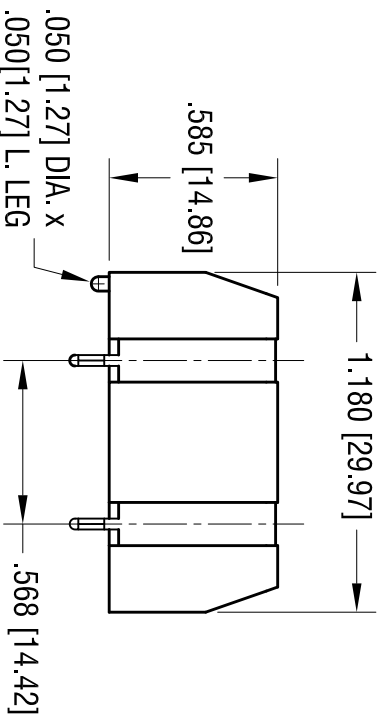
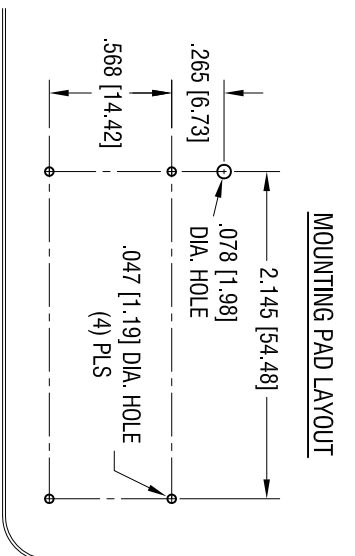


**MOUNTING PAD LAYOUT**



- NOTE:**
1. BASE:  
MAT'L: HEAT RESISTANCE NYLON  
(UL 94V-0)
  2. CONTACT:  
MAT'L: .012 [0.30] THK STAINLESS STEEL  
FINISH: TIN NICKEL PLATE.

DATE	DESCRIPTION	REV.
10.08.13	CHANGE AS PER ECN 13-091	B

**KEYSTONE ELECTRONICS CORP.**  
 www.keyelco.com • ASTORIA, N.Y. 11105-2017 • Tel (718) 956-8900

**PART NAME**  
THM BATTERY HOLDER, (2) AA

**MATERIAL**  
AS NOTED

**FINISH**  
AS NOTED

TOLERANCES	INCH	[MM]	CODE	DRN BY	DATE
DECIMAL	± .010	[± 0.25 ]	C	NT	5.18.10
ANGULAR	± 1°			LN	SCALE 1.5X
UNLESS OTHERWISE SPECIFIED				DWG NO.	<b>1013</b>

THIS DOCUMENT IS THE PROPERTY OF  
 KEYSTONE ELECTRONICS CORP. AND  
 SHALL NOT BE REPRODUCED, DISTRIBUTED  
 OR USED AS A BASIS FOR MANUFACTURE  
 WITHOUT PRIOR WRITTEN PERMISSION  
 FROM KEYSTONE ELECTRONICS CORP.