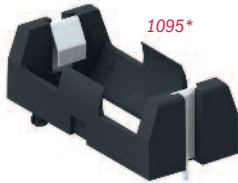


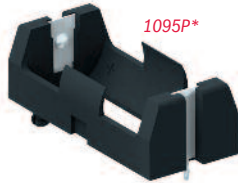
"18350" LITHIUM-ION BATTERY HOLDERS

Leaf Springs



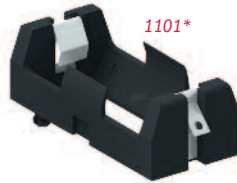
1095*

Leaf Spring Polarized



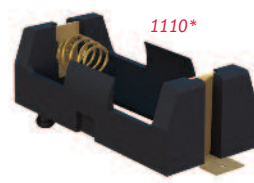
1095P*

Leaf Spring Solder Lugs



1101*

Coil Spring Polarized



1110*

FEATURES

- Low profile surface mount holder for Cylindrical Lithium and alkaline batteries
- UL 94V-0 heat resistant nylon housing well suited for reflow soldering
- Battery installation and removal does not require tools
- Securely holds battery in place

- Accommodates cells with or without built-in PCB protection circuits
- Polarity clearly marked for orientation
- Polarized holders available for protection against improper battery installation

*Dual Cell Not Shown

SPECIFICATIONS

Operating Temp Range:
-60°F to +293°F (-51°C to +145°C)
Base: High Temp Nylon 46, UL 94V-0
Contacts: Stainless Steel/Music Wire
SMT - Gold Plate (Flash)
THM - Tin-Nickel Plate

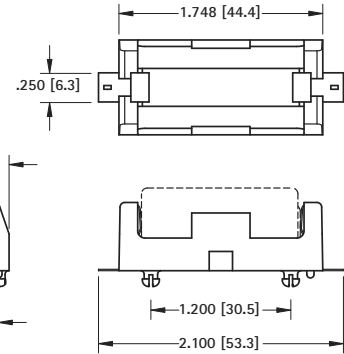
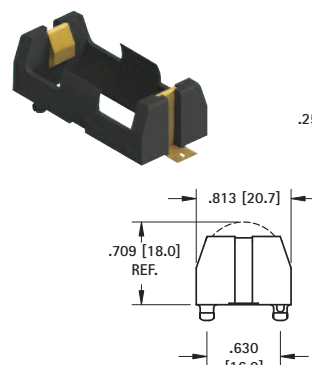
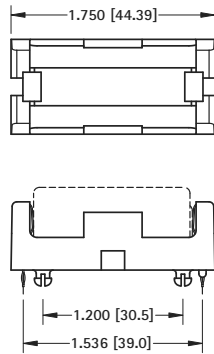
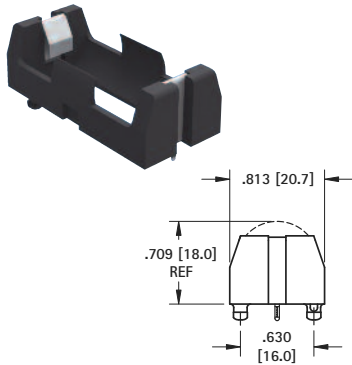


PC Battery Clip Available
See Page 13.

THRU HOLE MOUNT

SURFACE MOUNT

SINGLE CELL



SPECIFICATIONS

Base: High Temp Nylon 46, UL 94V-0
Contacts: .012 (.30) Stainless Steel, Tin-Nickel Plate

CAT. NO. 1095 Leaf Springs

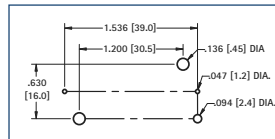
CAT. NO. 1095P Leaf Spring Polarized

CAT. NO. 1111 Coil Spring Polarized

CAT. NO. 1101 Solder Lugs

Packaging Spec's: 50 pieces per tray

Mounting Detail



SPECIFICATIONS

Base: High Temp Nylon 46, UL 94V-0
Contacts: .012 (.30) Stainless Steel, Gold Plate (Flash)

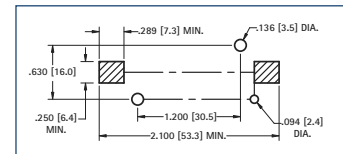
CAT. NO. 1096 Leaf Springs

CAT. NO. 1096P Leaf Spring Polarized

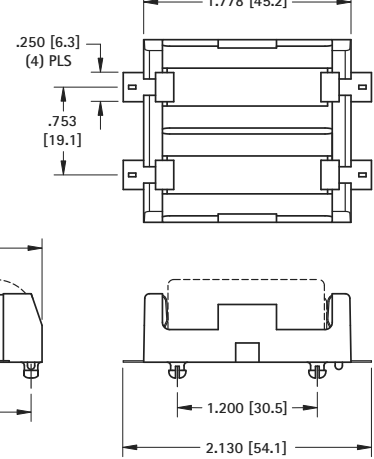
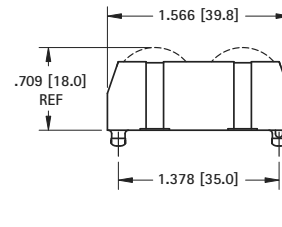
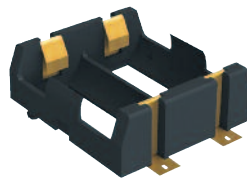
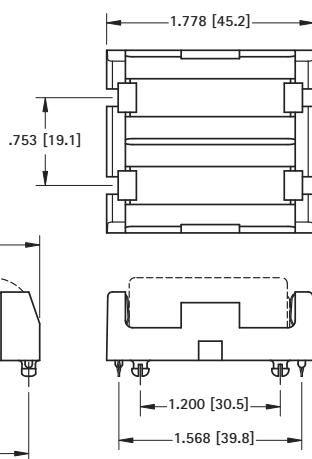
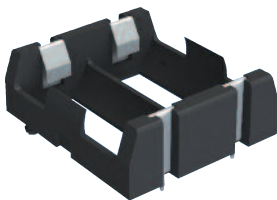
CAT. NO. 1110 Coil Spring Polarized

Packaging Spec's: 50 pieces per tray

Pad Layout



DUAL CELL



SPECIFICATIONS

Base: High Temp Nylon 46, UL 94V-0
Contacts: .012 (.30) Stainless Steel, Tin-Nickel Plate

CAT. NO. 1097 Leaf Springs

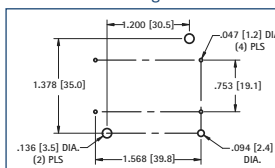
CAT. NO. 1097P Leaf Spring Polarized

CAT. NO. 1137 Coil Spring Polarized

CAT. NO. 1102 Solder Lugs

Packaging Spec's: 25 pieces per tray

Mounting Detail



SPECIFICATIONS

Base: High Temp Nylon 46, UL 94V-0
Contacts: .012 (.30) Stainless Steel, Gold Plate (Flash)

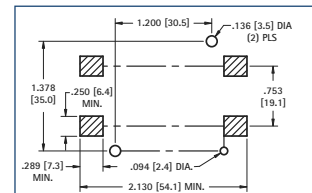
CAT. NO. 1098 Leaf Springs

CAT. NO. 1098P Leaf Spring Polarized

CAT. NO. 1136 Coil Spring Polarized

Packaging Spec's: 25 pieces per tray

Pad Layout



"18350" LITHIUM-ION BATTERY HOLDERS